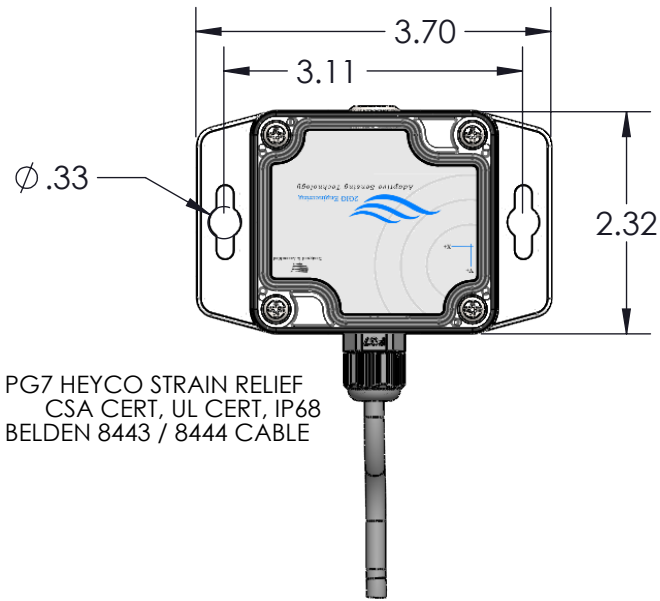
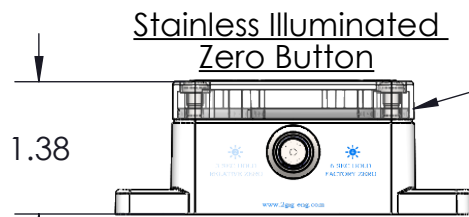


MOUNTING HOLE LOCATION



PG7 HEYCO STRAIN RELIEF
CSA CERT, UL CERT, IP68
BELDEN 8443 / 8444 CABLE



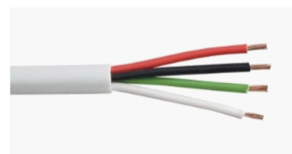
(3) Second Hold For
RELATIVE ZERO

(6) Second Hold For
FACTORY ZERO

POLYCARBONATE HOUSING:
IMPACT RESISTANT, UV STABILIZED
DESIGNED TO NEMA 1,2,4,4X,12,13
UL LISTED TO UL508-4X (UL FILE E194432)
FLAME RATING UL94-HB(UL FILE E41613)

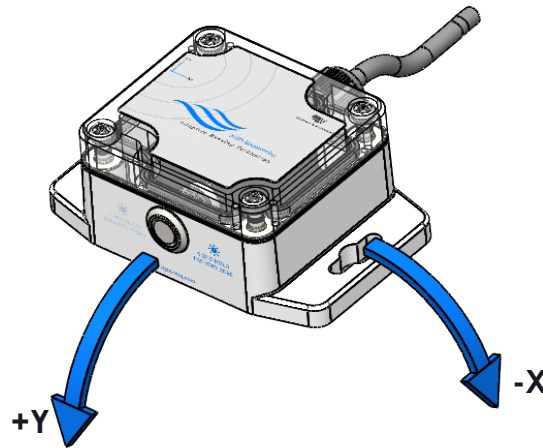
Wire Callout

LABEL	COLOR
V+	Red
GND	Black
RX-I	Green
TX-O	White

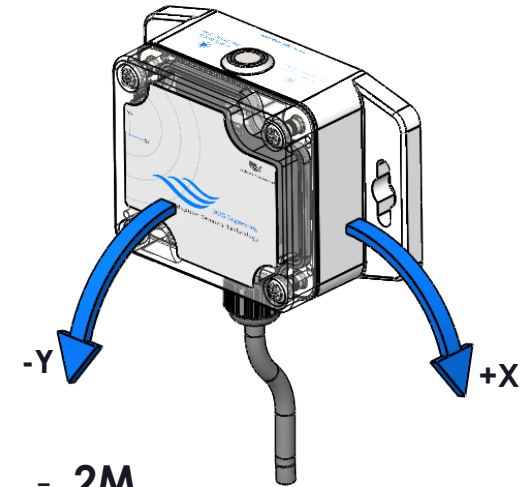


REVISIONS			
REV.	DESCRIPTION	BY	DATE
A	ADDED VERTICAL MOUNT OPTION / WR232Y18 KIT	JRK	4/25/2018

HORIZONTAL MOUNT



VERTICAL MOUNT



R _____ **2M**
RS232 | AXIS TYPE | BAUD | CABLE
HORIZONTAL MOUNT - H | VERTICAL MOUNT - V | AVAILABLE (BPS) |


SINGLE X - 1
SINGLE Y - 2
DUAL - 3

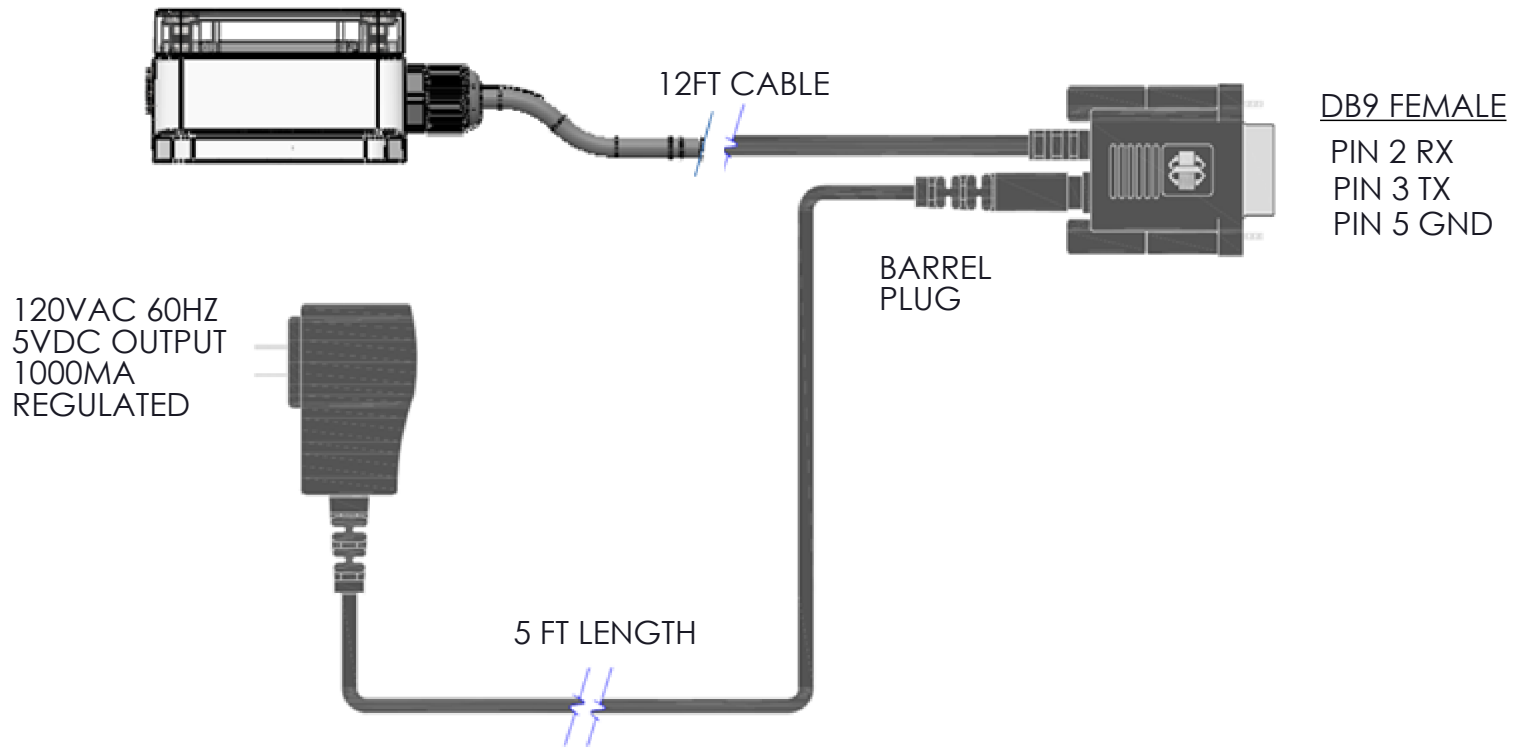
2400
9600
19200
57600
115200


(*)M = SPECIFY LENGTH IN METERS
DEFAULT IS 2M BELDEN 8444
DB9= 12 FT FEMALE DB9 WITH
5V 110AC POWER ADAPTER
(SEE PG2)

INPUT SUPPLY: 4-40VDC (BUILT IN BOOST REGULATOR)
OPERATING TEMP. -40 TO 85°C
ACCURACY : 0.1°
RESOLUTION: 0.01°
TEMPERATURE COMPENSATED
START-UP TIME - <0.5 SEC
ADJUSTABLE OUTPUT RATE BY COMMAND (1-100HZ)
ADJUSTABLE BAUD RATE BY COMMAND

REVERSE POLARITY PROTECTED
SHORT CIRCUIT PROTECTED TO GND
OVER VOLTAGE PROTECTED UP TO 60V
EPOXY ENCAPSULATED CIRCUIT
CURRENT DRAW: 18.0MA @12V : 9.5MA @24V
WEIGHT: 6.5OZ W/ 2METER 4 WIRE BELDEN CABLE
CE CERTIFIED / ROHS COMPLIANT

MATERIAL	DO NOT SCALE DRAWING	 2GIG ENGINEERING 194 MAIN ROAD ABBOT VILLAGE, ME 04406	
FINISH	SCALE 1:2	TITLE	
TOLERANCE UNLESS OTHERWISE SPECIFIED	DRAWN JRK DATE 11/15/2015	RS232 INCLINOMETER	
DECIMAL .XX±.02	CHECKED JGS	CODE IDENT	DRAWING NUMBER
DECIMAL .XXX±.005	SIZE A		R-27971
ANGLE ±'	SHEET 1 OF 2		REV A



			MATERIAL	DO NOT SCALE DRAWING	 2GIG ENGINEERING 194 MAIN ROAD ABBOT VILLAGE, ME 04406		
			FINISH	SCALE	NOT TO SCALE		
			TOLERANCE UNLESS OTHERWISE SPECIFIED	DRAWN MBS	DATE 5/17/2018	TITLE RS232 INCLINOMETER W/ WR232Y18 CABLE KIT	
			DECIMAL .XX±.02	CHECKED		CODE IDENT	DRAWING NUMBER
			DECIMAL .XXX±.005	SIZE	A		R-27971
USED ON	NEXT ASSY	QTY	ANGLE±0°30'	SHEET	2 OF 2		REV A